

T24-BSu

Loadcell Telemetry Base Station

USB version

- ◆ Licence free 2.4GHz band
- ◆ Computer interface
- ◆ 2 way wireless system for data integrity
- ◆ USB powered
- ◆ Toolkit software available
- ◆ 1 year warranty



The base station is a computer interface for the T24 telemetry system that connects to a standard USB port on a computer. It is required for the configuration of all T24 modules. This is greatly simplified by the free T24 Toolkit software for Windows available for download. Data can also be captured by the base station from a number of T24 data acquisition modules to provide a computer based wireless data logger. The number of data acquisition units that can be handled by a base station is dependant upon the data rate required.

T24 Toolkit software is available for set-up and data access using a computer with a Windows operating system, Windows XP, Vista, 7, 8 or 10 is required. The software can output data as a standard csv file for use with a spreadsheet or other data processing software.

The licence free 2.4GHz direct sequence spread spectrum (DSSS) radio technology offers high integrity, error free communications which can co-exist with other wireless technologies such as Wi-Fi, Bluetooth® and Zigbee®.

The T24 system can be used with any of our loadcells. Details of our loadcell families can be found in the Product List and the Loadcell Specifier Guide. If you require copies please contact our sales department or look on our web site at www.novatechloadcells.co.uk.

T24-BSu Specification

Description	Min	Typical	Max	Units
USB power supply range	4.875	5.0	5.125	V
USB operating current	100		200	mA
Licence	Licence exempt			
Modulation method	MS (QPSK)			
Radio type	Transceiver (2 way)			
Data rate		250		kbits/sec
Radio frequency	2.4000		2.4835	GHz
Power		10		mW
Line of sight transmission distance		400		m
Channels (DSSS)		16		
USB cable length		1.3		m
Operating temperature range	-20		55	°C
Storage temperature	-40		85	°C
Humidity	0		95	%RH Non condensing
Sealing		IP50		

Notes:

Line of site transmission distance assumes ideal conditions with the data acquisition unit 3m above the ground.

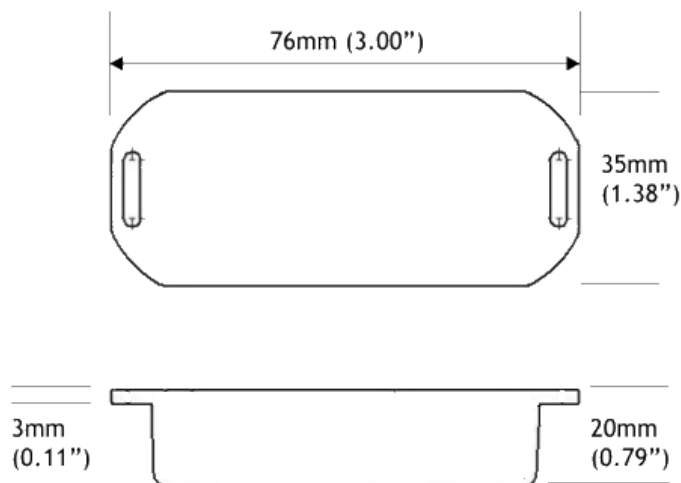
RH = relative humidity.

Order code

T24-BSu Cased telemetry base unit with USB interface.

T24 Toolkit software and system manual are available for download. The T24 system can be calibrated in a number of different ways depending upon the application. Please consult our engineering department for help with your requirements.

Please see Engineering Sheet E035 for 'Frequently Asked Questions' for the T24 Telemetry system.



Complies with EMC directive, 2004/108/EC.
The Radio Equipment and Telecommunications Terminal Equipment (R&TTE)
Directive, 1999/5/EC. RoHS compliant.



Novatech reserves the right to vary the foregoing details without prior notice

10/2015

NOVATECH MEASUREMENTS LTD

*** Manufacturing loadcells since 1972 ***

83 CASTLEHAM ROAD, ST LEONARDS ON SEA, EAST SUSSEX, TN38 9NT, ENGLAND

Tel: 01424 852744

email: info@novatechloadcells.co.uk

Fax: 01424 853002

www.novatechloadcells.co.uk